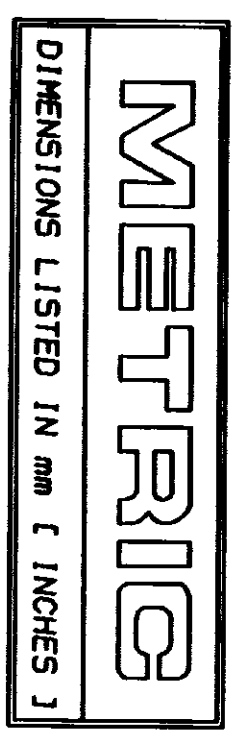
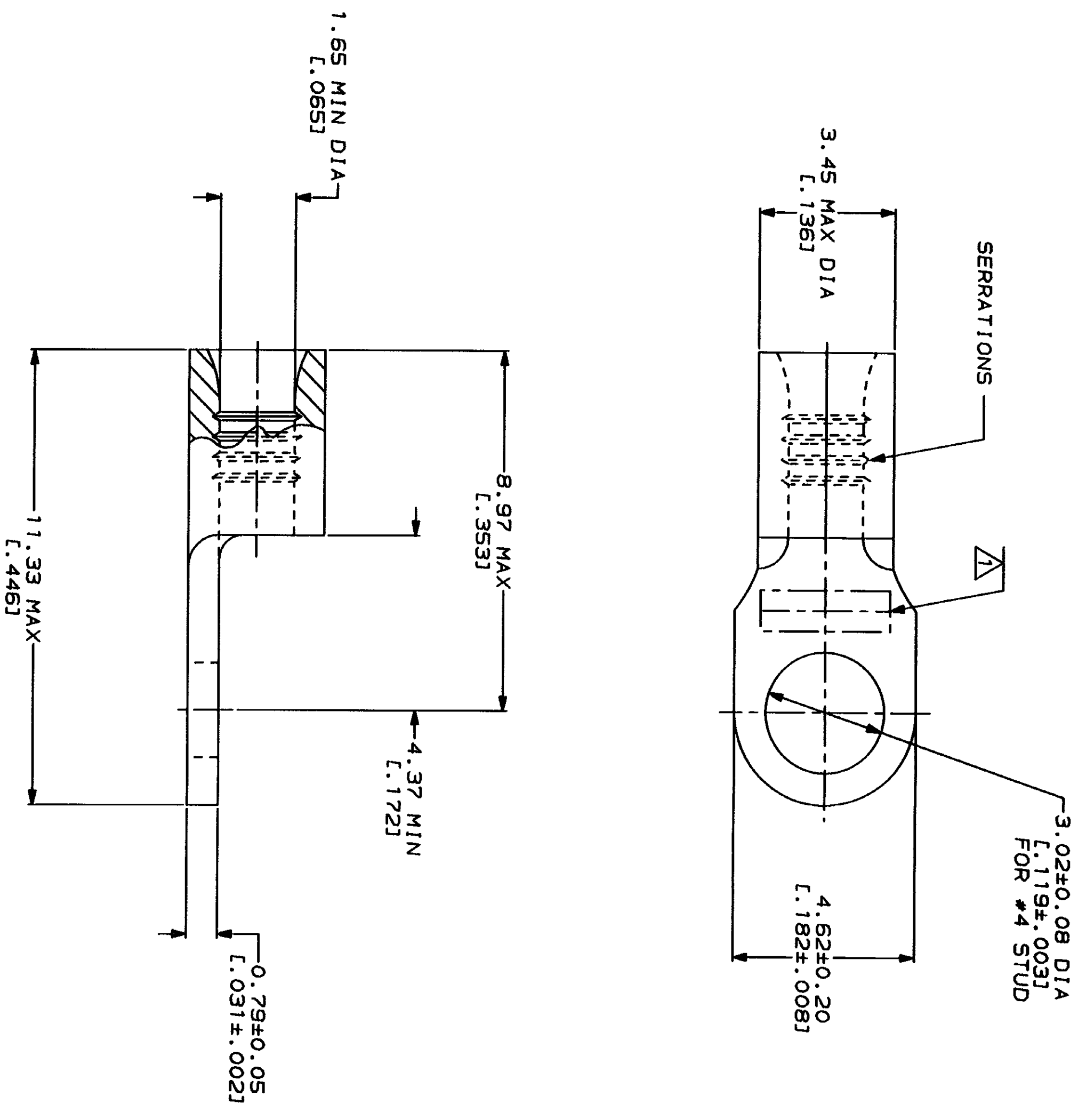


| LOC | DIST | REV | ZONE | LTR | DESCRIPTION              | DATE    | APP |
|-----|------|-----|------|-----|--------------------------|---------|-----|
| G   | 14   |     |      | A   | REVISED PER 0720-0230-93 | 2/28/94 | AMP |



|                    |                        |
|--------------------|------------------------|
| AMP WIRE RANGE     | IL E13288 Listed       |
| 22-16 AWG STRANDED | 22-16 AWG STRANDED     |
| LR7189 Certified   | MILITARY P/N AND CLASS |
| NOT CERTIFIED      | NOT APPLICABLE         |

△ STAMP AMP 22-18\* APPROX AS SHOWN  
 22-16 TERMINALS ARE STAMPED 22-18 IN  
 ACCORDANCE WITH MILITARY SPECIFICATION  
 MIL-T-7928, COMMERCIAL WIRE RANGE IS 22-16



AMP INCORPORATED  
 CUSTOMER SERVICE SYSTEMS

FOR ADDITIONAL PRODUCT INFORMATION OR COPIES OF DRAWINGS AND TECHNICAL DOCUMENTS

FOR APPLICATION TOOLING INFORMATION

FOR ORDER ENTRY

PRODUCT INFORMATION CENTER  
 1-800-522-6752

TOOLING ASSISTANCE CENTER  
 1-800-722-1111

1-800-526-5142

MAX RECOMMENDED OPERATING TEMPERATURE: 170°C MAX

VOLTAGE RATING: NOT APPLICABLE

WIRE CROSS SECTIONAL AREA RANGE: 0.26-1.65mm<sup>2</sup> [509-3,260] CIR MILS STRANDED

DO NOT SCALE PRINT. DIMENSIONS IN MILLIMETERS - TOLERANCES ON: 2 PLC DEC ± . - 3 PLC DEC ± . - ANGLES MATERIAL COPPER PER ASTM B-152 ANNEALED

FINISH TIN PLATE 0.00254(.000100) MIN THK PER MIL-T-10727

|                            |                               |   |
|----------------------------|-------------------------------|---|
| DR 2-2-93<br>TA BRINKMAN   | NAME                          | AMP   |
| CHK 2-2-93<br>DA PATTERSON | TERMINAL, RING TONGUE, BUDGET | AMP Incorporated<br>Harrisburg, PA 17105-3608 |
| APPD 2-2-93<br>DE MILLER   | SIZE                          | CAGE CODE                                     |
| APPD 2-2-93<br>JL MECKLEY  | 00779                         | 00779   |
| PRODUCT SPEC               | SCALE                         | 36189   |
| APPLICATION SPEC           | 10:1                          | DRAWING NO                                    |
| WEIGHT                     |                               | 36189   |
|                            |                               | 1 OF 1  |